

## ASN Cooler - CC series

offline coolers 20/30/45lpm

艾斯安冷却器

Specialty Fengrossment Concentration

专业·专注·专心

# Cooling Systems / 冷却系统

## CC Series ASN Series 20/30/45lpm

### General Data And Details/参数和明细

The oil / air coolers of our CC series are autonomous cooling systems with an integrated circulation pump. They work as a separate cooling unit or as a filter cooling unit with an adequate filter. The benefits of such circulation coolers are a constant cooling performance and a higher durability, because there are no pressure vibrations or peaks in the cooler unit.

我们的自循环空气油冷却器是一套具有独立循环泵的自循环冷却系统，它可以作为一个独立冷却单元，也可以加配一台适合的过滤器成为独立循环过滤冷却系统，它的优点是稳定的冷却性能和更长的使用寿命，因为它不会受到系统震动和脉冲压力带来的损害。

#### Conditions of use / 应用条件:

Maximum oil temperature: 100°C, maximum air temperature: 50°C. Motors can be used up to an altitude of 1500m. For other conditions of use please contact our engineers.

最高油温 100°C，最高空气温度 50°C，电机可以在海拔 1500 米以下使用，其他应用条件请联系我们的技术人员。

#### Noise level / 噪音等级:

Noise levels are measured in accordance with 2006/42/EC and EN ISO 3744.

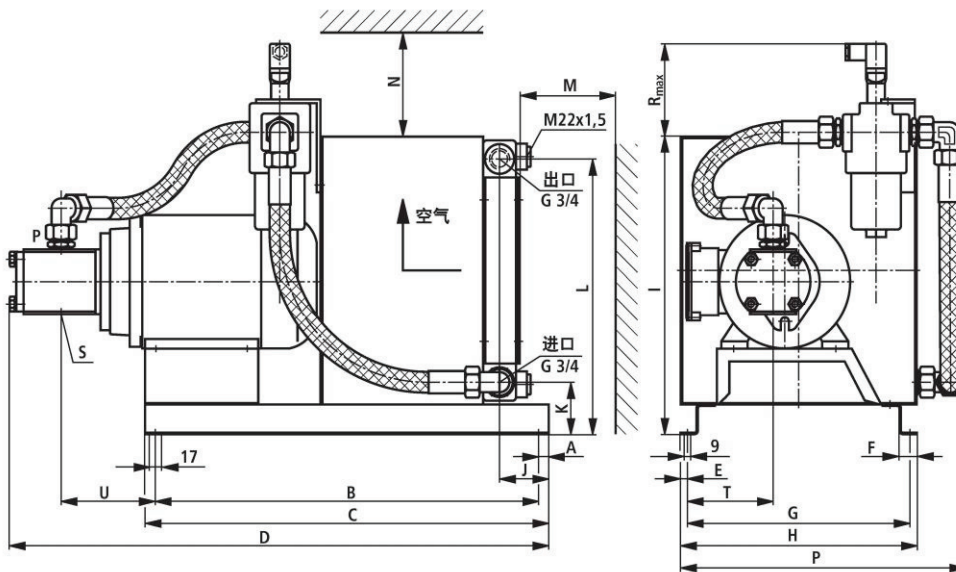
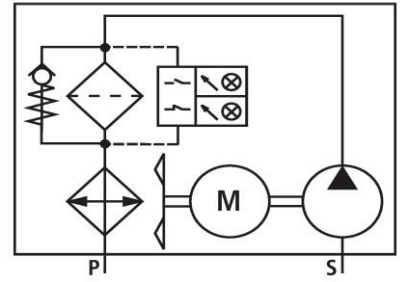
噪音等级的测量是根据 2006/42/EC 和 EN ISO 3744 执行的。

#### Dimensions / 尺寸:

General tolerance according to DIN 2768-v

通用公差依据 DIN 2768-v。

### Scale Drawing / 比例图



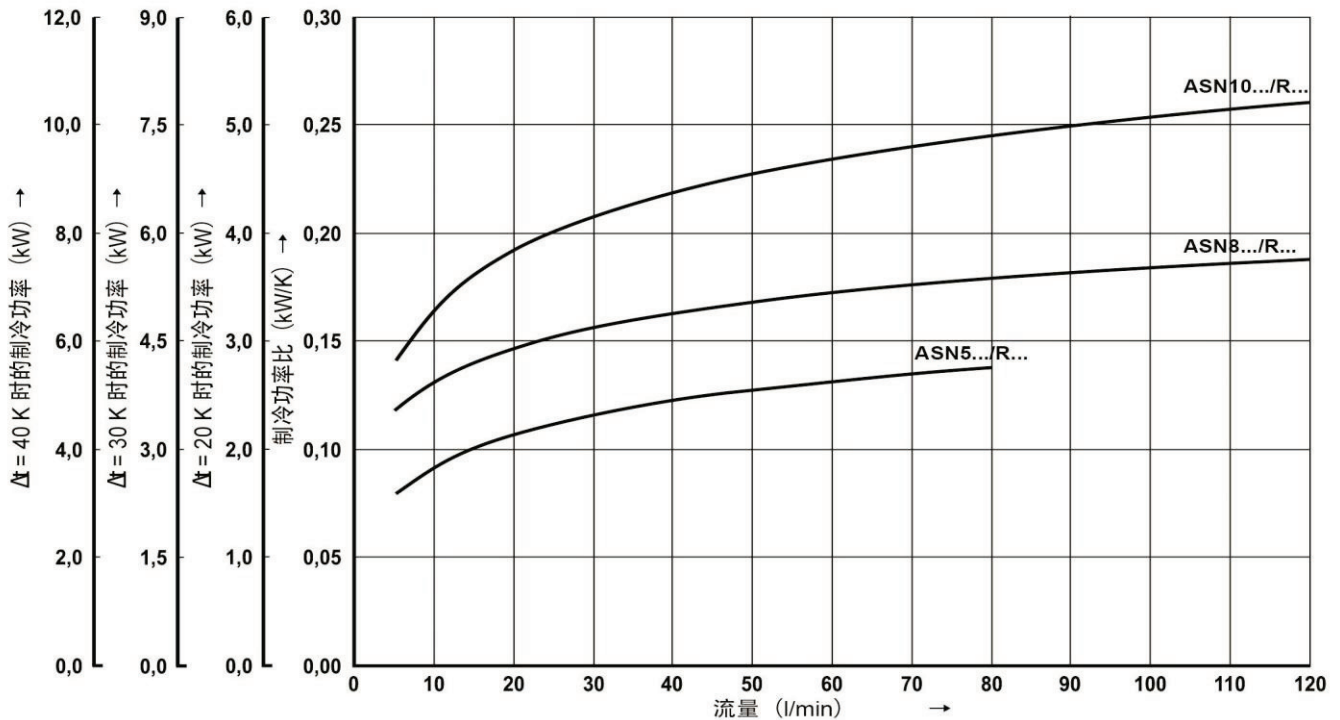
Order number	Bosch Rexroth No.	A	B	C	D	E	F	G	H	I	J	K
		[mm]	[mm]	[mm]	[mm]	[mm]	[mm]	[mm]	[mm]	[mm]	[mm]	[mm]
ASN5N-2X/R-20F100-10-E/M	KOLP5N-2X/R-20F100-10-E/M	15	525	555	712.5	9.5	24	305	324	400	68	70
ASN5N-2X/R-20FB5/100-10-E/M	KOLP5N-2X/R-20FB5/100-10-E/M				722.5							
ASN5N-2X/R-30F100-10-E/M	KOLP5N-2X/R-30F100-10-E/M											
ASN5N-2X/R-30FB5/100-10-E/M	KOLP5N-2X/R-30FB5/100-10-E/M											
ASN8N-2X/R-30F160-10-E/M	KOLP8N-2X/R-30F160-10-E/M	15	575	605	790.5	9.5	24	405	424	500	68	70
ASN8N-2X/R-30FB5/160-10-E/M	KOLP8N-2X/R-30FB5/160-10-E/M				772.5							
ASN10N-2X/R-30F160-10-E/M	KOLP10N-2X/R-30F160-10-E/M				790.5							
ASN10N-2X/R-30FB5/160-10-E/M	KOLP10N-2X/R-30FB5/160-10-E/M											
ASN10N-2X/R-45F160-10-E/M	KOLP10N-2X/R-45F160-10-E/M											
ASN10N-2X/R-45FB5/160-10-E/M	KOLP10N-2X/R-45FB5/160-10-E/M											
Order number	Bosch Rexroth No.	L	M	N	P	R 最大	S	T	U			
		[mm]	[mm]	[mm]	[mm]	[mm]	[---]	[mm]	[mm]			
ASN5N-2X/R-20F100-10-E/M	KOLP5N-2X/R-20F100-10-E/M	370	150	200	430	127	G3/4"	117.5	116			
ASN5N-2X/R-20FB5/100-10-E/M	KOLP5N-2X/R-20FB5/100-10-E/M								121			
ASN5N-2X/R-30F100-10-E/M	KOLP5N-2X/R-30F100-10-E/M								130			
ASN5N-2X/R-30FB5/100-10-E/M	KOLP5N-2X/R-30FB5/100-10-E/M								121			
ASN8N-2X/R-30F160-10-E/M	KOLP8N-2X/R-30F160-10-E/M	470	200	250	530	78	G3/4"	172.5	130			
ASN8N-2X/R-30FB5/160-10-E/M	KOLP8N-2X/R-30FB5/160-10-E/M								121			
ASN10N-2X/R-30F160-10-E/M	KOLP10N-2X/R-30F160-10-E/M								130			
ASN10N-2X/R-30FB5/160-10-E/M	KOLP10N-2X/R-30FB5/160-10-E/M								121			
ASN10N-2X/R-45F160-10-E/M	KOLP10N-2X/R-45F160-10-E/M								130			
ASN10N-2X/R-45FB5/160-10-E/M	KOLP10N-2X/R-45FB5/160-10-E/M								130			

This data sheet shows a technical overview of our products. Please contact us if more exact information is needed. As we are constantly improving our products, their characteristics, dimensions and weights may also change, although we do our best to incorporate these changes continually. The information in this data sheet is intended to be used as a first general guideline only, asn assumes no liability for any information therein, any errors, omissions, misprints, nor any direct or indirect damages, losses or costs resulting therefrom. The cooling performance and the general technical values indicated in this catalogue are measured at a test bench according to asn testing procedures. Because there is no standardized testing procedure, tests used by other manufacturers could have different results. Due to different conditions in testing and application environments the cooling performance may also vary by +/- 15%. Therefore we recommend all coolers to be checked under the system operating conditions. This is also true of vibrations and mechanical stress as well as for pressure peaks and thermal stress and any other relevant factors.

# Cooling Systems / 冷却系统

CC Series ASN Series 20/30/45lpm

Performance / 性能



## Technical Data / 技术参数

Order number	Bosch Rexroth No.	oil flow [lpm]	motor power [kW]	Pole number [pol]	rotation [rpm]	Filter rating [μm]	By-pass starting temperature [°C]	noise level [dB(A)]	weight [kg]
ASN5N-2X/R-20F100-10-E/M	KOLP5N-2X/R-20F100-10-E/M	20	1,5	4	1410	10	55	74	38.3
ASN5N-2X/R-20FB5/100-10-E/M	KOLP5N-2X/R-20FB5/100-10-E/M	20	1,5	4	1410	10	55		
ASN5N-2X/R-30F100-10-E/M	KOLP5N-2X/R-30F100-10-E/M	30	1,5	4	1410	10	55	76	38.6
ASN5N-2X/R-30FB5/100-10-E/M	KOLP5N-2X/R-30FB5/100-10-E/M	30	1,5	4	1410	10	55		
ASN8N-2X/R-30F160-10-E/M	KOLP8N-2X/R-30F160-10-E/M	30	1,1	6	910	10	55	72	43.9
ASN8N-2X/R-30FB5/160-10-E/M	KOLP8N-2X/R-30FB5/160-10-E/M	30	1,1	6	910	10	55		
ASN10N-2X/R-30F160-10-E/M	KOLP10N-2X/R-30F160-10-E/M	30	1,5	4	1410	10	55	76	47.1
ASN10N-2X/R-30FB5/160-10-E/M	KOLP10N-2X/R-30FB5/160-10-E/M	30	1,5	4	1410	10	55		
ASN10N-2X/R-45F160-10-E/M	KOLP10N-2X/R-45F160-10-E/M	45	1,5	4	1410	10	55	83	47.5
ASN10N-2X/R-45FB5/160-10-E/M	KOLP10N-2X/R-45FB5/160-10-E/M	45	1,5	4	1410	10	55		

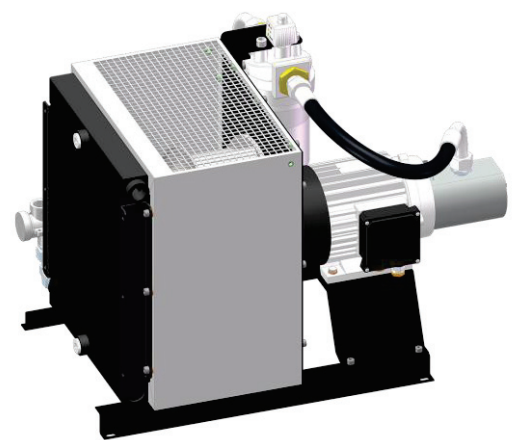
The maximum suction pressure is -0,5 bar. The viscosity range is <240cSt. Motor voltage: 230/400V @ 50Hz\*. The protection level is IP55.

## Design / 设计

radiator material / 冷却器材料	aluminium/铝材
radiator air fin shape/风道翅片外形	wavy/波浪形
pump type/油泵类型	screw pump/齿轮泵
pump material (housing) /泵壳体	aluminium/铝材
sheet metal material/金属薄片材料	powder coated steel/ 亚光黑钢板
suitable fluids/适用流体	mineral oil/ 矿物油

## Options / 选项

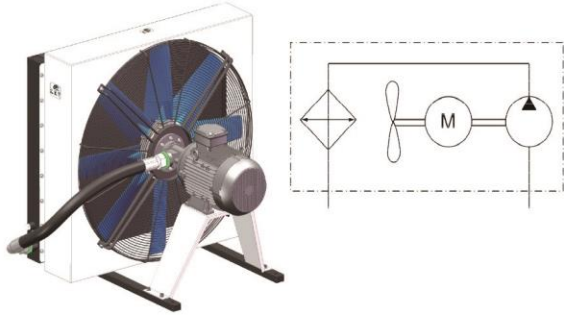
temperature valve / 温度旁通阀	starting temperature 55°C/ 启动温度 55°C
motor data*/ 马达数据	alternative voltages, frequencies, protection levels, etc on request 选择电压, 频率, IP 防护等级, 以及其他附加需求



此数据是我们产品的技术总览。如果您还需要了解更多确切的信息请随时联系我们。尽管我们尽最大的努力更新数据，但是由于我们对产品不断进行改进，它们的特点，尺寸和重量都可能会发生变化。此表上的信息仅作为一般参考。艾斯安公司对由任何错误，包括遗漏，翻译错误，打印错误造成的直接或间接损失不承担责任。此目录中产品的散热性能和技术参数是按照艾斯安公司的测试标准，在艾斯安试验设备上得出的。因为没有统一的测试程序，其他厂商的测试可能会有不同的结果。测试环境和应用环境的不同，可能会导致散热性能在正负 15% 之间浮动。因此我们建议所有的冷却器都应根据实际操作系统来进行检查，包括抗振动能力和机械应力，压力峰值和热应力等。请在安装前认真阅读使用手册。

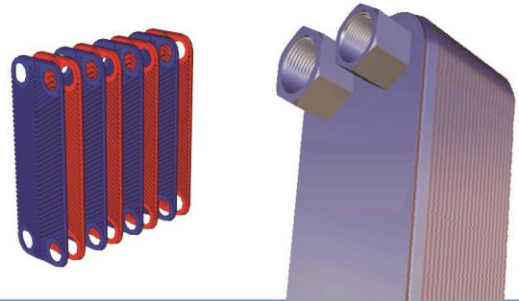
## CC

Circulation cooler series with integrated gerotor pump for off line cooling



## PIC SERIES

Brazed stainless steel plate heat exchanger



## W-LINE

Special equipped heat exchangers for the wind energy industry, coastal and off shore applications



## ATEX

ATEX certificated air blast coolers according to CE Ex II 2G EEx c IIB T4



ISO 9001:2015



联系方式:

ASN hydraulic Co.,Ltd.  
南通艾斯安液压科技有限公司

中国江苏省通州湾江海联动开发示范区  
东海大道88号, 邮编: 226601

电话: 0513-86919116

传真: 0513-86911116

网址: [www.asn-groups.com](http://www.asn-groups.com)

专业 · 专注 · 专心

Specialty Fengrossment Concentration