

ASN Plate Heat Exchanger 艾斯安板式换热器

Specialty Fengrossment Concentration

专业·专注·专心

ASN Plate Heat Exchangers

Progress In Cooling

The asn plate heat exchanger is designed for both cooling and heating applications. It is commonly used to cool hydraulic fluid and lubricating oil and can be used for water, air, steam and gas applications.

The benefits of asn plate heat exchangers are:

- strength
- safety
- downsizing
- high thermal efficiency
- low maintenance
- no gaskets – no leaks



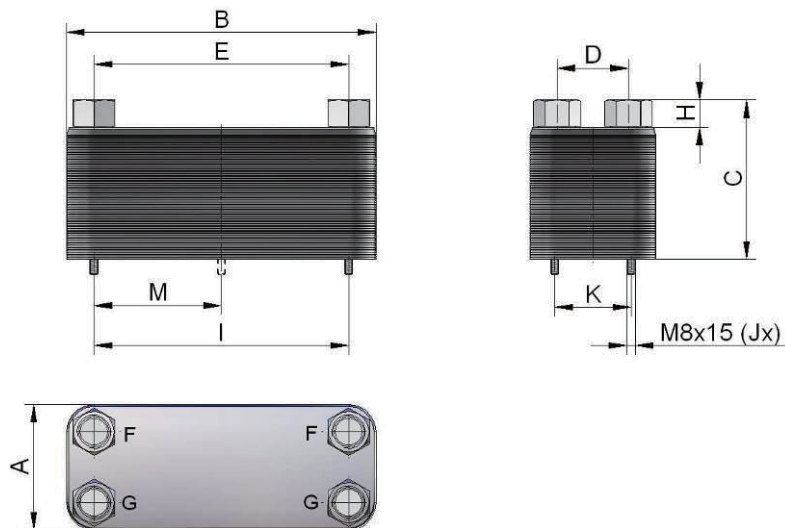
Design

The asn plate heat exchanger is designed for maximum heat transfer using profiled plates of acid proof stainless steel. The plates form channels through which oil and water pass (alternating every other channel). At the front and back side of the plate package there are cover plates. The cooler plates are brazed together at all outer and inner points of contact. The cooler can be installed in charge-pump circuits as well as in return lines with high pressure variations.

Standard Range

Our standard range of plate heat exchanger covers a large field of applications to ensure you competitive pricing, high quality and short delivery times. Contact us for more information and non standard coolers to work out the optimal solution for you.

Scale Drawing



material	plates	steel 1.4401
	upper plate	steel 1.4301
	connectors	steel 1.4301
	solder	copper CW004A
pressure	test pressure	43 bar
	max. working pressure	30 bar

Technical Data

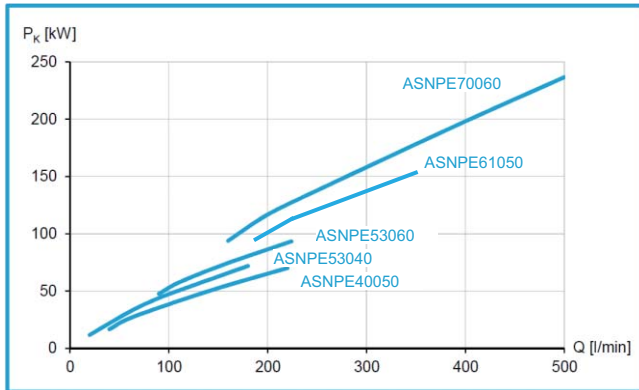
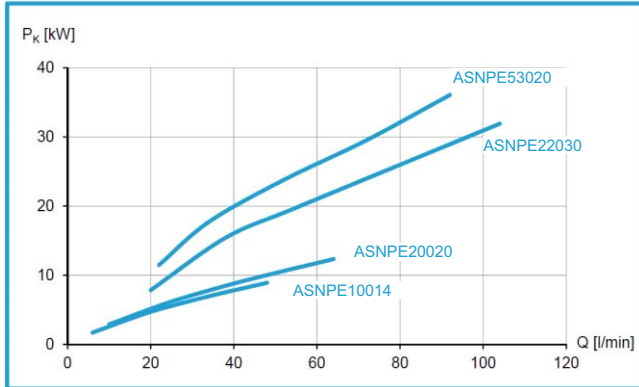
order number	description	A	B	C	D	E	F	G	H	I	J	K	M	weight
		[mm]	[mm]	[mm]	[mm]	[mm]			[mm]	[mm]	# of bolts	[mm]	[mm]	[kg]
ASNPE10014	ASN – PE 10-14 E	73	205	64,5	42	172	G 1/2"	G 1/2"	27	120	2	-	-	1,8
ASNPE20020	ASN – PE 20-20 E	80	194	82	40	154	G 3/4"	G 3/4"	27	150	2	-	-	2,3
ASNPE22030	ASN – PE 22-30 E	106	306	109	50	250	G 1"	G 3/4"	27	250	4	40	-	6,1
ASNPE40050	ASN – PE 40-50 E	124	304	157	70	250	G 1"	G 1"	27	250	4	75	-	10,2
ASNPE53020	ASN – PE 53-20 E	124	504	85	64	444	G 1"	G 1"	27	450	4	75	-	8,8
ASNPE53040	ASN – PE 53-40 E	124	504	133	64	444	G 1"	G 1"	27	450	4	75	-	13,1
ASNPE53060	ASN – PE 53-60 E	124	504	181	64	444	G 1"	G 1"	27	450	4	75	-	18,4
ASNPE61050	ASN – PE 61-50 E	186	613	161	92	519	G 1 1/2"	G 1 1/2"	27	500	6	100	250	30,3
ASNPE70060	ASN – PE 70-60 E	246	528	182	174	456	G 1 1/2"	G 1 1/2"	27	420	6	150	210	39,9

ASN Plate Heat Exchangers

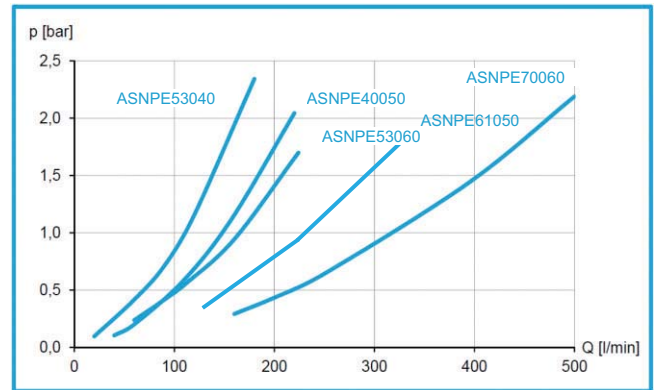
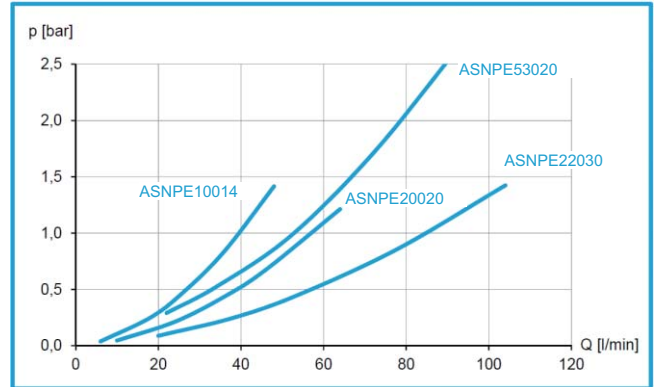
Performance

The shown performance curves were created with an oil/water ratio of 2:1 with hydraulic oil ISO VG32 at an oil inlet temperature of 60°C and a water inlet of 20°C. Please contact us for other technical parameters to select the optimal cooler for you.

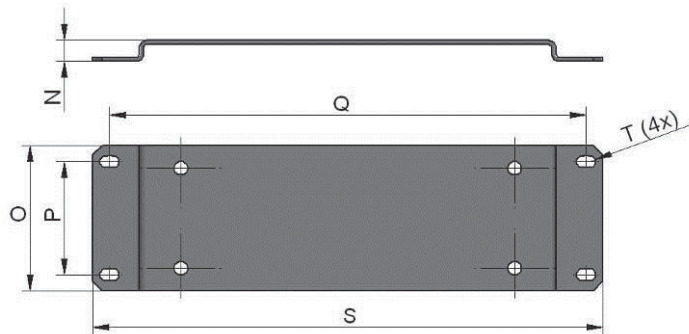
cooling performance



pressure drop



Mounting Brackets



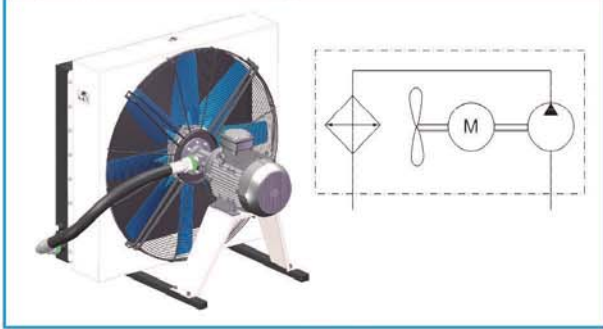
bracket order number	fits on cooler type	N	O	P	Q	S	T slot hole	bracket weight	cooler order number
		[mm]	[mm]	[mm]	[mm]	[mm]		[kg]	with mounted bracket
ASNPF10	ASNPE10014	16	58	33	228	253	9 x 15	0,3	ASNPE10014F
ASNPF20	ASNPE20020	16	70	50	255	280	9 x 15	0,5	ASNPE20020F
ASNPF22	ASNPE22030	16	74	50	350	375	9 x 15	0,7	ASNPE22030F
ASNPF40	ASNPE40050	16	109	85	357	382	9 x 15	1,0	ASNPE40050F
ASNPF53	ASNPE53020	16	107	85	555	580	9 x 15	1,5	ASNPE53020F
ASNPF53	ASNPE53040	16	107	85	555	580	9 x 15	1,5	ASNPE53040F
ASNPF53	ASNPE53060	16	107	85	555	580	9 x 15	1,5	ASNPE53060F
ASNPF61	ASNPE61050	16	180	160	646	676	11 x 20	3,6	ASNPE61050F
ASNPF70	ASNPE70060	16	254	230	552	580	11 x 20	3,5	ASNPE70060F

Please contact us to select the optimal options or get further information at www.asn-groups.com or asn@asn-groups.com

Please read manual before installation!

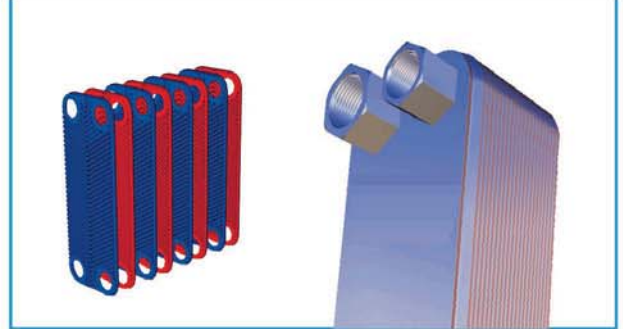
CC

Circulation cooler series with integrated gerotor pump for off line cooling



PIC SERIES

Brazed stainless steel plate heat exchanger



W-LINE

Special equipped heat exchangers for the wind energy industry, coastal and off shore applications



ATEX

ATEX certified air blast coolers according to CE Ex II 2G EEx c IIB T4



联系方式:
昆山艾斯安液压设备有限公司
Kunshan ASN Co., Ltd.
中国江苏省昆山市开发区景德
路28号
邮编: 215341
T: +8618662658338
F: 0512-57255889
asahydraulic@163.com
www.asahydraulics.com



ISO 9001:2008



专业 · 专注 · 专心
Specialty Fengrossment Concentration